



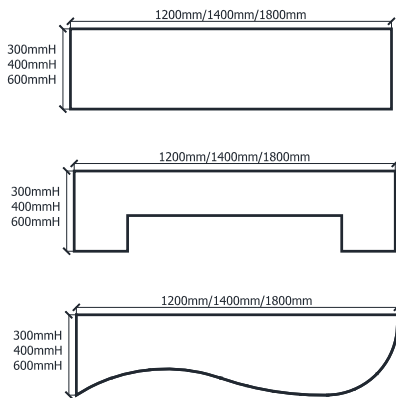
**VERTICAL BAFFLE**



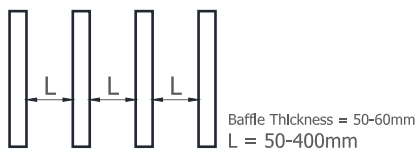
**HORIZONTAL BAFFLE**

**GEO BAFFLES (Vertical/Horizontal)** An acoustic ceiling baffles used to absorb noise in various open space. Geo baffles are suspended freely from an open soffit and effectively control unwanted and drifting noise. Designed and manufactured to meet project requirements and acoustic demands.

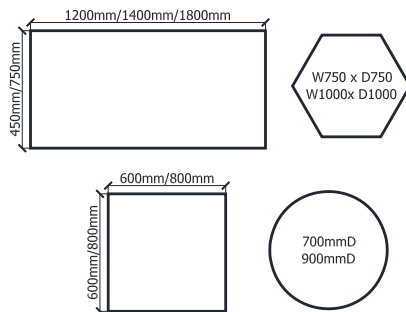
**AVAILABLE PRE-CUT (VERTICAL)**



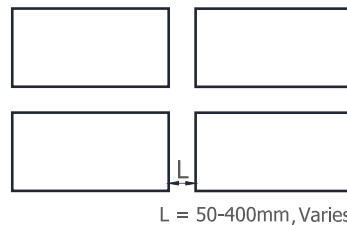
**SUGGESTED BAFFLE INTERVAL (Vertical)**



**AVAILABLE PRE-CUT (HORIZONTAL)**



**SUGGESTED BAFFLE INTERVAL (Horizontal)**



**HANGING METHOD (50mm/60mm)**

- Wire Rope
- Metal Rack
- U Channel
- Metal Rod

## AVAILABLE COLOR



13-1 to 13-6, Block F1, Jalan PJU 1/42,  
Dataran Prima, 47301, Petaling Jaya,  
Selangor Darul Ehsan, Malaysia.

T: +603 - 7804 9111  
F: +603 - 7804 0111  
E: info@ekous.net  
www.ekous.net



SWEDEN • MALAYSIA • THAILAND • SINGAPORE • INDIA • PHILIPPINES • HONG KONG